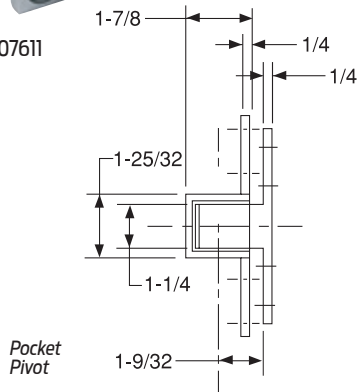


### 91105F, 91105F-PT Pocket Pivot/Hinge

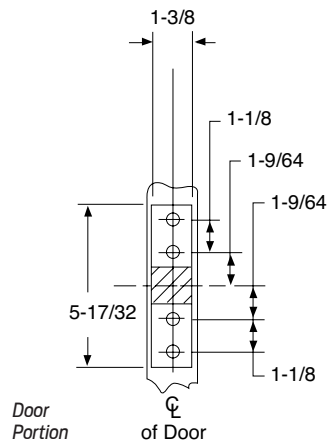
- Non-handed
- All stainless steel construction.
- Allows door to open a full 90 (\* degree mark)
- Full mortise
- 90 pound load bearing
- Use two for doors up to 7'0" and over 7'0" use three.
- PT, Power Transfer version has four 28 gauge wires (contact factory for eight wire version). Rated 50 VOC or VAC @ 3.5 amps. Continuous or 16 amps pulse. Maximum pulse 400 milliseconds.

UL Listed 3 hour fire doors or 20 minute wood fire doors

Meets ANSI/BHMA A156.4 C07611

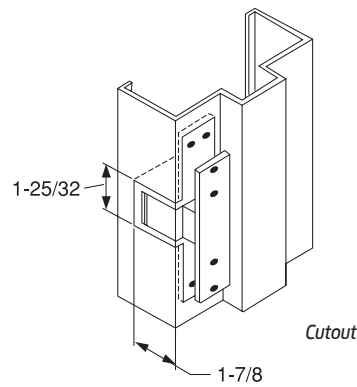


Pocket Pivot

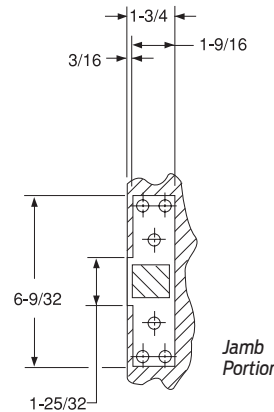


Door Portion

of Door



Cutout



Jamb Portion

#### Plated Finishes *steel*

|             |     |      |       |
|-------------|-----|------|-------|
| US Number   | US3 | US10 | US10B |
| BHMA Number | 632 | 639  | 640   |

#### Painted Finishes *steel*

|             |     |       |
|-------------|-----|-------|
| US Number   | USP | SP313 |
| BHMA Number | 600 | 695   |

#### Finishes *stainless steel*

|             |      |       |
|-------------|------|-------|
| US Number   | US32 | US32D |
| BHMA Number | 629  | 630   |